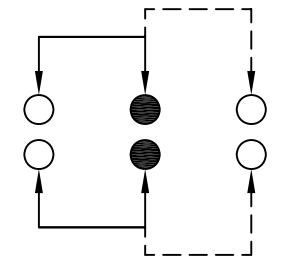
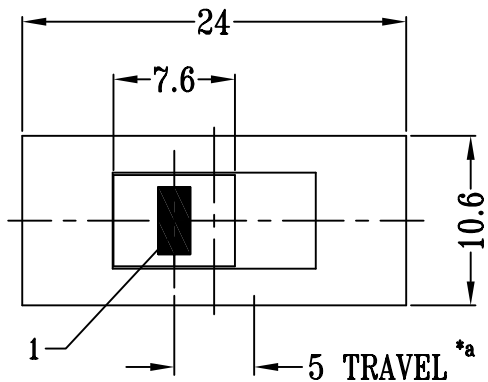
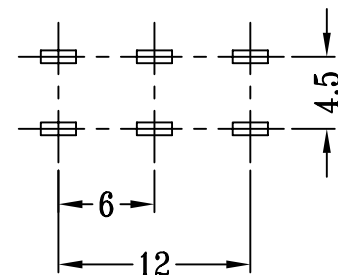
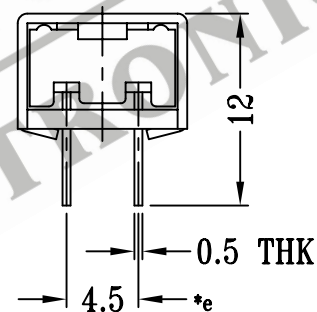
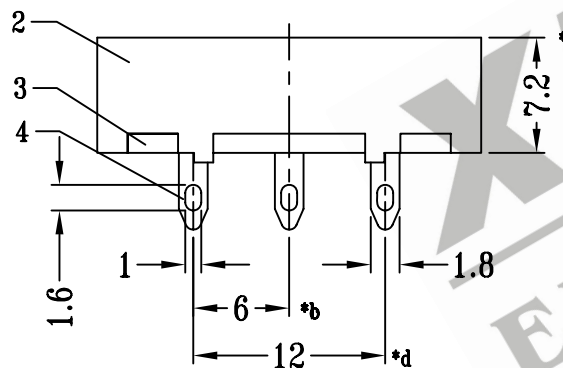


CAD FILE:



SCHEMATIC (NON-SHORTING)



P.C.B LAYOUT

注:带"*"表示关键尺寸(5个)

8					TOLERANCE UNLESS SPECIFIED	SHENZHEN XIEJIA ELECTRONICS CO.,LTD.				
7										
6	CONTACT CLIP	COPPER STRIP	1	Ag PLATED	WITHIN: 1.5±0.1mm OVER : 1.5±0.2mm	ISSUE	DATE	DESCRIPTIONS		APPD.
5	SPRING	STEEL WIRE	1	TEMPER						
4	TERMINAL	BRASS STRIP	6	Ag PLATED OVER Ni PLATED	TITLE : VERTICAL SLIDE SWITCH	UNIT : MM		DRWG NO.: XJ-DR-SS22J11-00		
3	BASE	PHENOLIC RESIN	1	BLACK	MODEL: SS-22J11	SCALE: 2 : 1		DWN.	ZHOUYU	2004-7-26
2	KNOB	POM	1	BLACK				CHK'D	FANGYING	2004-7-26
1	FRAME	STEEL STRIP	1	BLACK	ALL MATERIALS MUST BE COMPLIANT TO ROHS	APPD.		KANGXINAN	2004-7-26	
NO.	PART NAME	MATERIAL	Q'TY	FINISHING						